

New PRECISION PLUS SERIES PIPETTOR

Sequence
BioTech, LLC

Innovative, Easy to use, Advanced Benchtop Pipettor

Precision Plus Series Pipettor Features

- For use with universal tips
- 300 uL volume capacity
- Enhanced motor control for acceleration and deceleration
- Six pipetting speeds and custom speed control settings
- Ergonomic large comfortable handle grip
- Improved programmability by adding extra commands and 4x memory
- Compact, will easily fit into a fume hood
- Lightweight, only 22 pounds
- Two year warranty
- LED Lighting- dimmable directly over pipette tips

Dispense/Aspirate Easily move the pipette head with a light touch on the handle.

Tip Loading/Eject- Large over molded handle provides a comfort grip while picking up tips. Easily load a 96 rack of tips with minimal effort. Automatic motor powered tip eject.

Control Panel- Large embossed intuitive keypad buttons. Center knob rotates easily to dial in volumes and make menu selections.

Sequence
BioTech, LLC

www.sequencebiotech.com



Available in Canada from...

MJS
BioLynx
INC.

1-888-593-5969 • www.biolynx.ca • tech@biolynx.ca



Precision Plus Series Pipettor Specifications



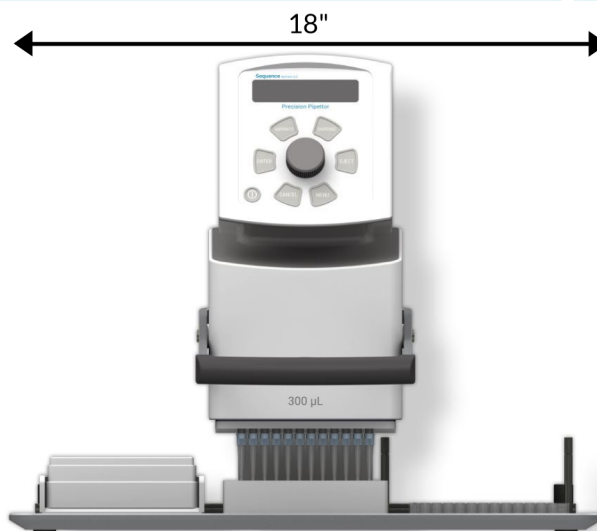
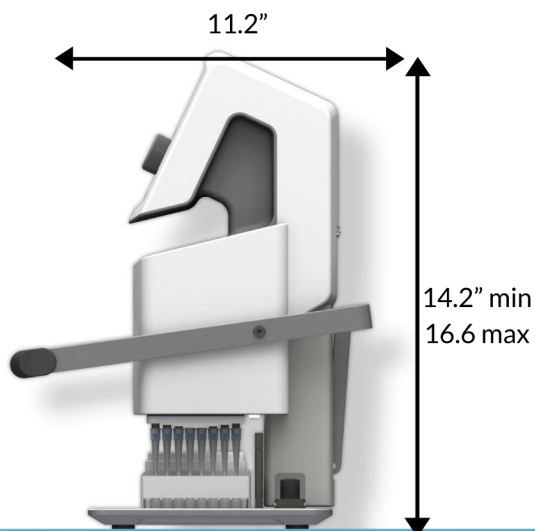
Parameter	Specifications
Overall Dimensions	16.6" (H) x 18.0" (L) x 10.0" (W) 420mm (H) x 458mm (L) x 254mm (W)
Main Power Supply	100-240 V 47-63Hz 1.4 A Max
Input Voltage	24 VDC 2.7 A 65 Watts
Operating Conditions, Indoor	50-102 F 10-40C 85% RH condensing
Compliance	CE, UL & CSA EN61010-1-NRTL
Weight	22 lbs 10 Kg
Plates, Rack	Any SBS Footprint, 96 or 384 well

300 uL Pipetting Head Model

Dispensing Volume	5-300 uL
Dispensing Resolution	Slow-knob rotation 1 uL Fast-knob rotation 10 uL
Dispensing Precision	25-250 uL <3% 5-24 uL <5%
Dispensing Accuracy	5-250 uL +/- 3%
Speed	6 Preset Speeds 1-150 uL/second

25 uL Pipetting Head Model

Dispensing Volume	1.0-25.0 uL
Dispensing Resolution	Slow-knob rotation 0.1 uL Fast-knob rotation 1.0 uL
Dispensing Precision	5.0-25.0 uL <3% 1.0-4.9 uL <5%
Dispensing Accuracy	5.0-25.0 uL +/- 3% 1.0-4.9 uL +/- 3%
Speed	6 Preset Speeds 0.1-10 uL/second



 **Sequence**
BioTech, LLC

Ordering Information

MJS
BioLynx
INC.

1-888-593-5969
www.biolynx.ca • tech@biolynx.ca